

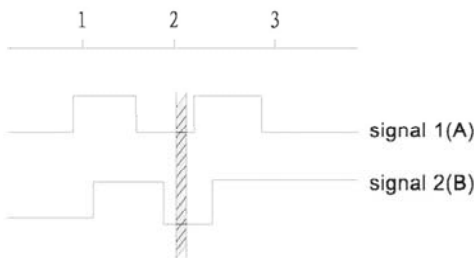
PoPendant1

Suitable for manual pulse input type such as NC or milling machinery
 High reliability, terminal connection type
 Power supply: 5V DC

Application:
 Industrial tooling machinery

Output waveform

90° Output phase difference, CW rotation
 (CW rotation as seen from fit surface)

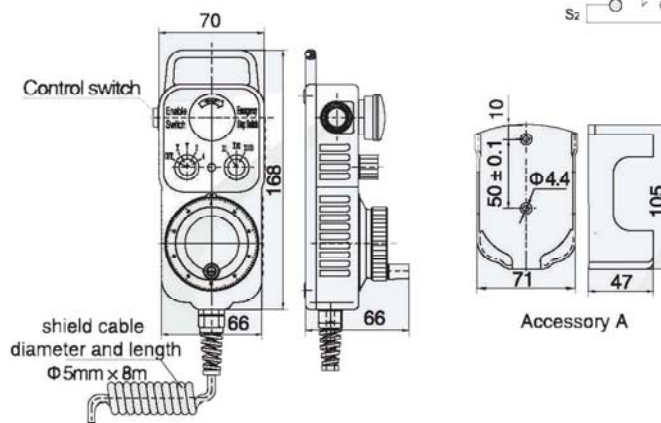


A leads B clockwise when viewing the encoder shaft end.
 Click-stop position falls within hatched area.

Terminal assignment

ELECTRICAL SPECIFICATIONS OF SELECTION SWITCH			
Switch load	0.4VA	Max. voltage	25V
Circuit width	0.1-50mA		
ELECTRICAL SPECIFICATIONS OF CONTROL SWITCH			
Connection Point	AC Max. load	AC220V 0.5A	
	DC Max. load	DC24V 1A	
ELECTRICAL SPECIFICATIONS OF STOP SWITCH			
Connection Point	AC Max. load	AC220V 0.5A	
	DC Max. load	DC30V 1A	

Dimensions



TECHNICAL SPECIFICATIONS

ELECTRICAL SPECIFICATIONS	
Output wave	Square wave
Output signals	A, B(Line driver output A, A, B, B phase)
Current consumption	≤ 100mA
Response Frequency	0~20KHz
Output phase difference	90° ± 45°
Supply voltage	5V DC
Signal level	$V_H \geq 85\%V_{CC}$, $V_L \leq 0.3V$
Number of pulses	100 (Other number of pulse available on request)
Output circuit	Open collector NPN, Push pull, Line driver, Voltage
MECHANICAL SPECIFICATIONS	
Signal position	2 kind
Speed without sealing	500rpm
Starting torque without sealing	$2.0 \times 10^{-2} \sim 6.0 \times 10^{-2} \text{Nm}$ (+25°C)
Shock resistance	980m/s ² , 6ms, 2 times each on XYZ
Vibration proof	50m/s ² , 10~200Hz, 2 hours each on XYZ
Working life	MTBF ≥ 10000h (+25°C, 2000rpm)
Weight	Appr. 740g
ENVIRONMENTAL SPECIFICATIONS	
Working humidity	30~85% (No condensation)
Storage temperature	-30°C~85°C
Working temperature	-10°C~70°C
Protection class	IP54

Item	Wire color	Signal	Note
1	red	+5V	
2	black	0V	
3	green	A	Manual encoder
4	white	B	
3*	purple	A	When line driver output
4*	purple/black	B	
5	green/black	+	Indicator lamp
6	white/black	-	
		OFF	
7	yellow	X	Select axis
8	yellow/black	Y	
9	brown	Z	
10	brown/black	4	
9*	pink	5	When select the 5th, 6th axis
10*	pink/black	6	
11	gray	x 1	Select multiple
12	gray/black	x 10	
13	orange	x 100	
14	orange/black	COM	Control switch
15	Light blue	C	Stop switch
16	blue/black	CN	Standby
17	red/black		Shield